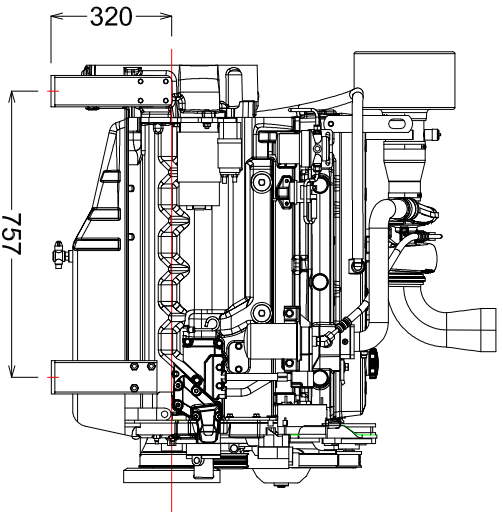
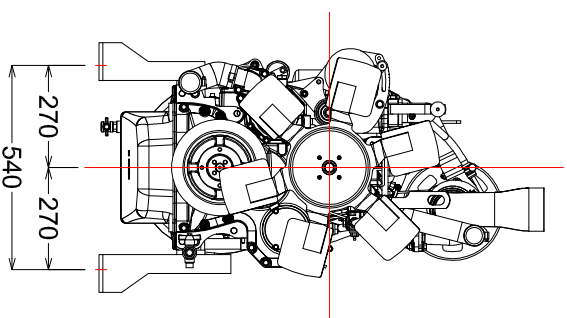


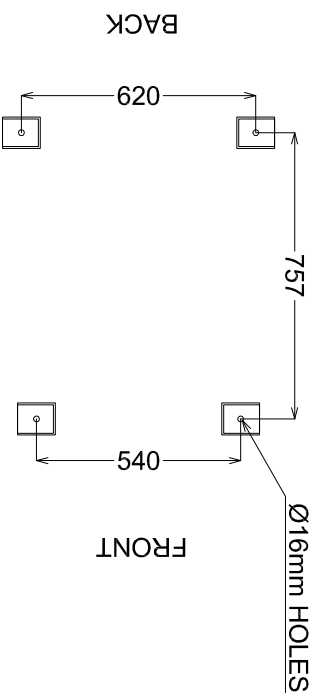
SIDE VIEW



FRONT VIEW



FOOT PRINT



JOHANNESBURG CAPE TOWN
 504 Jg. A. Hendrikse 29 Adriaan Coetzee
 Civic Buildings 4th Floor Alberton City
 Alberton North Cape Town
 P.O. Box 26174 P.O. Box 80
 1600 (011) 5162680 7420 Wynburg
 Tel: (011) 5162680 Fax: + 27 21 586-2925
 Email: newway@newway.co.za Tel: + 27 21 586-3515



This drawing and design is the property of New Way Power and may not be copied or reproduced without permission of New Way Power (Pty) Ltd.

NOTES:

DRAWING TITLE:
 6068T ENGINE
DRAWN BY:
 S.LA GRANGE
SCALE:
 1 : 20 @ A4