



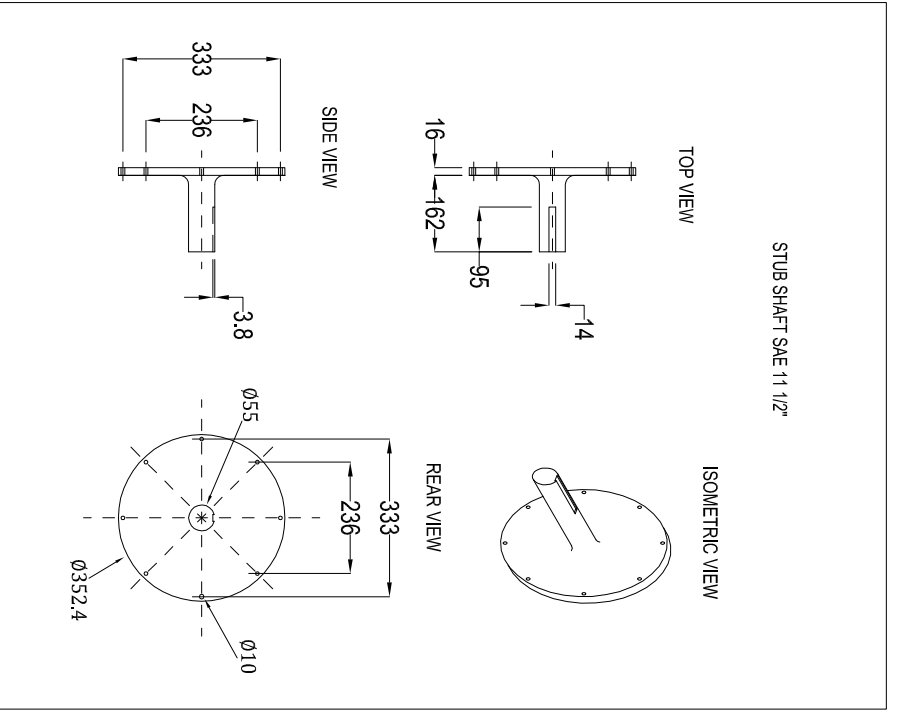
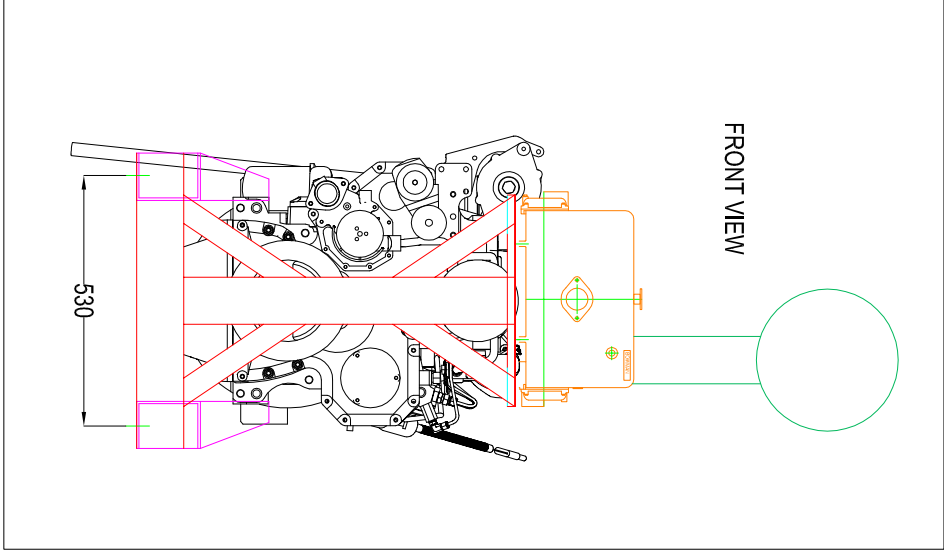
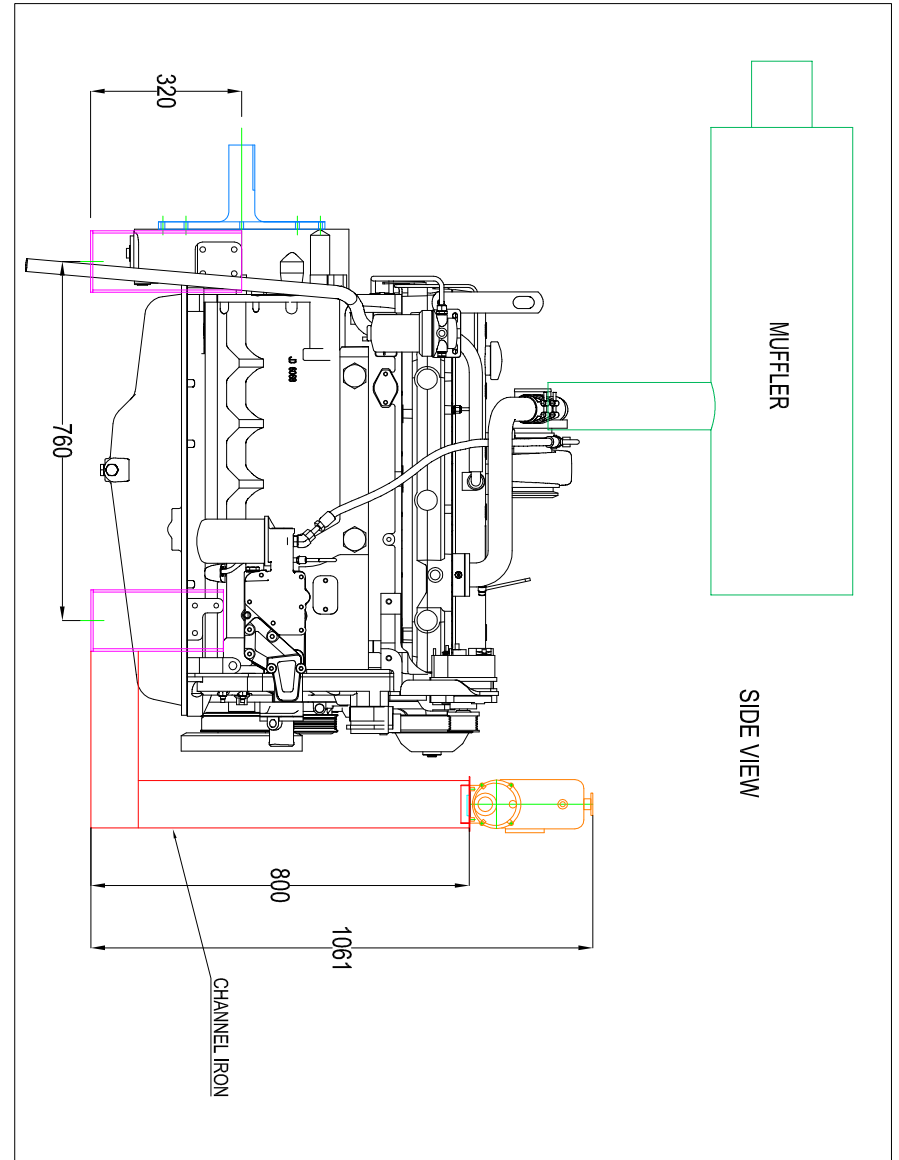
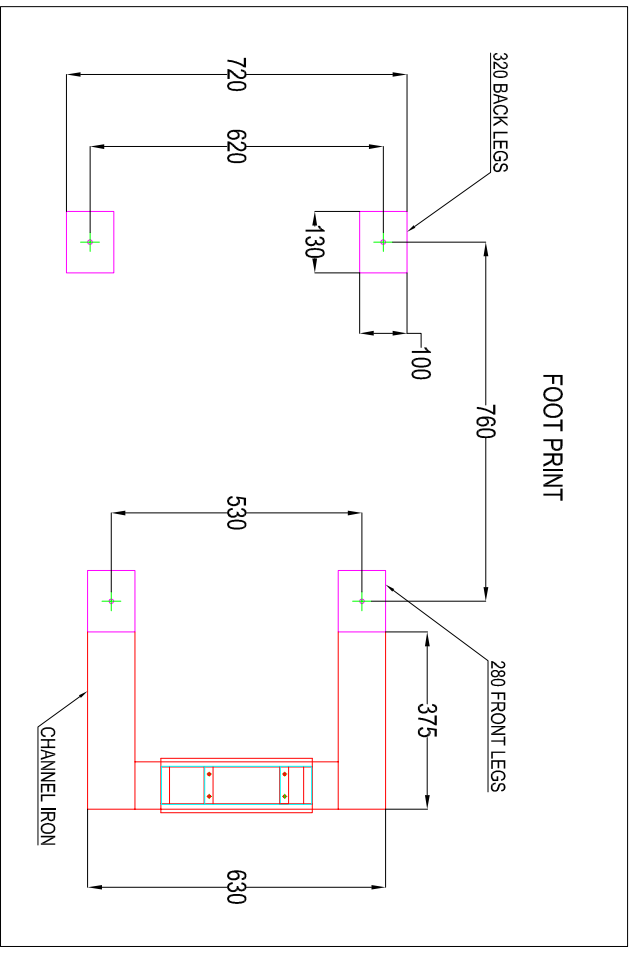
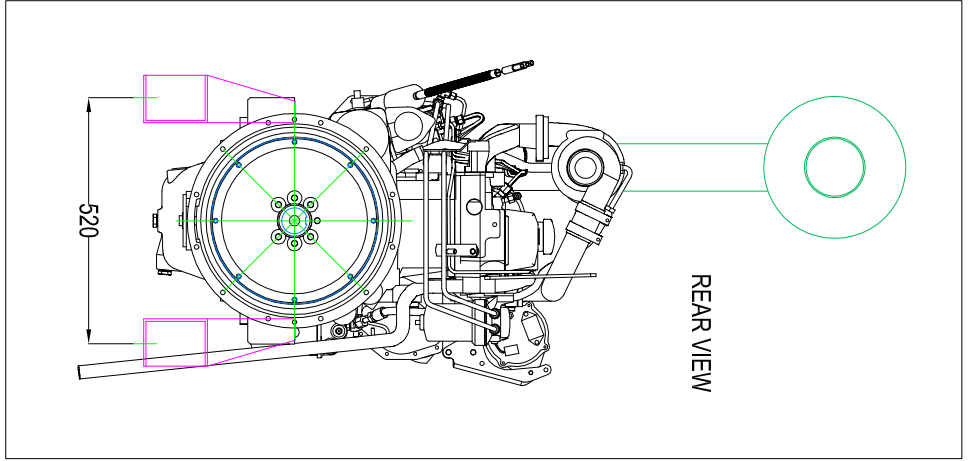
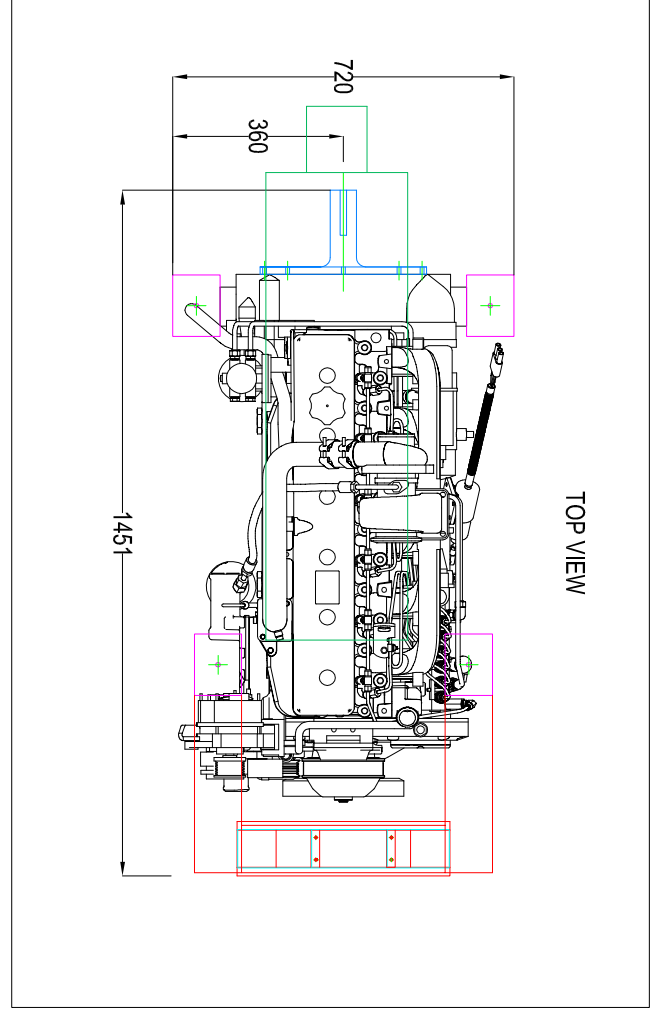
NEW WAY POWER (PTY) LTD

JOHANNESBURG
 30-38 A Jacoba Str
 Corn Blomulp Str
 Alberton North
 1449
 P.O. Box 261747
 Ekurhuleni
 2023
 Tel: (010) 216 2600
 Fax: 0102162628
 E-mail: newway@icn.co.za

CAPE TOWN
 29 Aviation Crescent
 Airport City
 Cape Town
 S.A.
 P.O. Box 80
 Paarden Eiland
 7420
 Tel: + 27 21 386-2933
 Fax: + 27 21 386-4551

This drawing and design is the property of New Way Power and may not be copied or reproduced without permission of New Way Power (Pty) Ltd.

NOTES:



DRAWING TITLE:	FIRE APP
CUSTOMER:	SPP PUMPS
DRAWN BY:	S. C LA GRANGE
SCALE:	SCALE 1:16 @ A3
DATE:	22/08/12