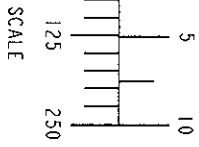
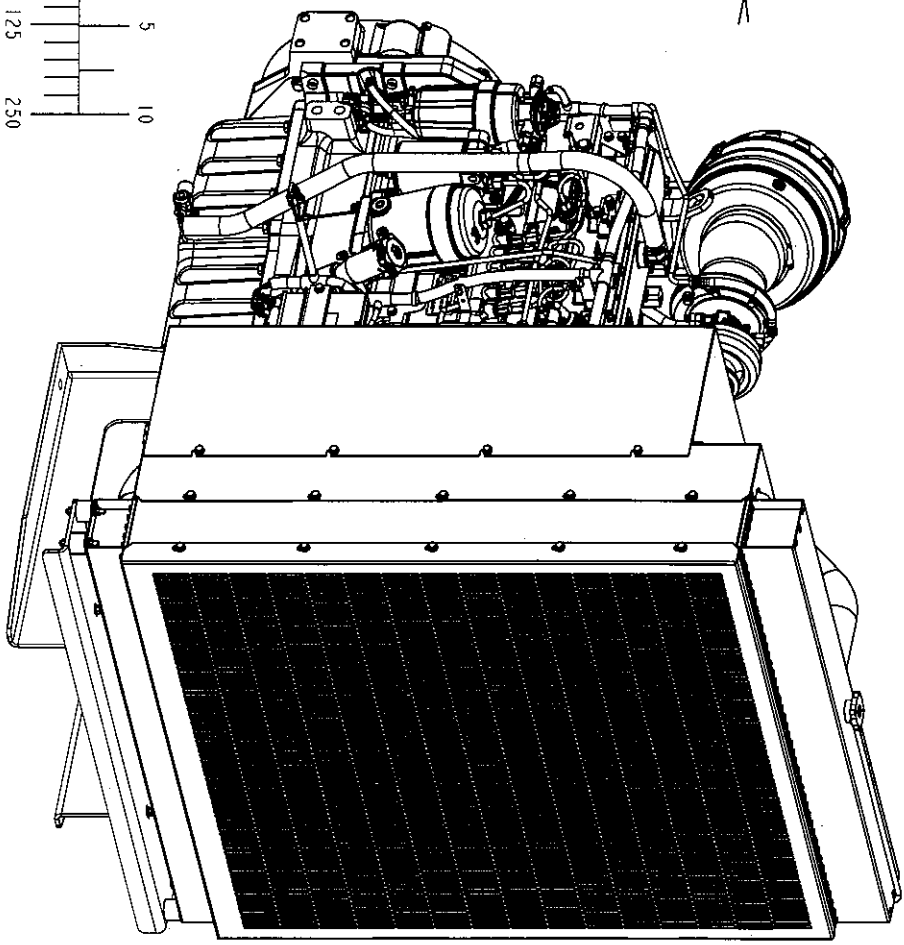
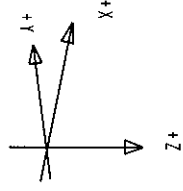


FOR CENTER - OF - GRAVITY OR WEIGHT INFORMATION,
 REFER TO THE ENGINE PERFORMANCE CURVES.

ORIGIN - CENTERLINE OF
 CRANKSHAFT AT REAR FACE OF BLOCK



OPTION	GROUP NAME
1107.RES25694	ROCKER ARM COVER
1320.RES31099	CRANK PULLEY AND DAMPER
1405.RES23111	SAE #2 FLYWHEEL HOUSING
1505.RES23112	FLYWHEEL - 11.5IN OC CLUTCH
1601.RES23113	FUEL INJECTION PUMP
1707.RES28856	AIR INTAKE
1803.RES44480	AIR CLEANER
1916.RES23115	OIL PAN
2001.RES23116	WATER PUMP
2107.RES27033	THERMOSTAT COVER
2201.RES22968	THERMOSTAT
236A.RES29938	FAN DRIVE
2435.RES30584	BELT, FAN OPTION
2501.RES44452	FAN
2699.RES23120	NO ENGINE HEATER
2741.RES44512	RADIATOR
2811.RES532378	EXHAUST MANIFOLD
2901.RES23122	VENT SYSTEM
3001.RES23123	STARTING MOTOR - DENSO RA.0 12V
3120.RES27393	ALTERNATOR
3510.RES28862	FUEL FILTER
3913.RES32820	THERMOSTAT HOUSING
4003.RES23127	DIPSTICK
4302.RES25440	STARTING AID (AIR HEATER)
4601.RES23129	CYLINDER BLOCK
4701.RES23130	CRANKSHAFT
4801.RES23131	CONNECTING RODS AND PISTON
4901.RES23132	VALVE ACTUATING MECHANISM
5003.RES43185	OIL PUMP
5101.RES23134	CYLINDER HEAD
5298.RES25552	GEAR DRIVEN AUXILIARY DRIVE
5498.RES35443	AIR INTAKE TURBO
5708.RES32489	WATER PUMP INLET
5925.RES32562	OIL COOLER AND FILTER
6217.RES24688	ALTERNATOR MOUNTING
6499.RES23735	NO EXHAUST ELBOW
6535.RES32379	TURBOCHARGER
6901.RES23144	SERIAL NUMBER PLATE
7499.RES23146	AIR CONDITIONER MOUNTING
7701.RES23149	TIMING GEAR COVER
7899.RES23150	AIR COMPRESSOR
8414.RES32816	WIRING HARNESS
8991.RES32635	EXHAUST GAS RECIRCULATION
9804.RES29382	LIFT STRAPS
7208.RES43650	ENGINE PERFORMANCE
83JR.RES42655	VEHICLE PERFORMANCE

MODEL R.	MODEL REV.	ASSEMBLY MULTI MATERIAL
Changing	A.1	
DIR R.	DIR REV	
Changing	A.2	
SOURCING	OPEN	
	CLOSED	

THIS DRAWING AND THE INFORMATION HEREON ARE THE PROPERTY AND MAY BE USED AS AUTHORIZED BY DEERE & COMPANY. ALL RIGHTS RESERVED UNDER THE COPYRIGHT LAW.

DISTRIBUTION: A. ROYCEON, 2010-06-03, JDS-6113
 DRAWING / LOCATION ASSEMBLY
 250 EPA STAGE 111A GenSet 6SPU
 DEERE & COMPANY
 MOLINE, ILLINOIS 61285

METRIC
 SCALE: 1:1
 SHEET: 1/9
 DATE: A

CUSTOMER INSTALLATION POINTS

ITEM SHEET	NAME	REMARKS
AI 5	AIR - TURBO INLET	Ø 101.6 X 35.1 ENGAGEMENT
BRI 3	BRACKET - FRONT LIFT STRAP	LIFT BARE ENGINE ONLY
BR2 3	BRACKET - REAR LIFT STRAP	LIFT BARE ENGINE ONLY
CL3 3	COOLANT - RETURN	1/2-14 NPSF
CL4 3	COOLANT - THERMOSTAT HOUSING PORT	2 X M14 X 1.5-6H
CL6 5	COOLANT - THERMOSTAT HOUSING PORT	3/4-14 NPT
CL8 5	COOLANT - SUPPLY	2 X 3/4-14 NPSF
CL9 5	COOLANT - BLOCK HEATER	1 5/8-12 UN-2B
CL10 4	COOLANT - SUPPLY	1-11 1/2 NPT
EL1 3	FUEL INJECTION PUMP	SEE OPTION DRAWING
EL2 5	STARTER	SEE OPTION DRAWING
EL3 6	ALTERNATOR	SEE OPTION DRAWING
EL4 3	CRANK POSITION SENSOR	P.E.D. #12066016
EL5 3	HPCR WIRING HARNESS CONNECTOR	TYCO #1443966
EL6 3	POSITION SENSOR	P.E.D. #12066016
EL7 5	AIR TEMPERATURE SENSOR	P.E.D. #15336020
EL8 3	COOLANT TEMPERATURE SENSOR	P.E.D. #12040753
EL9 3	OIL PRESSURE SENSOR	P.E.D. #12065287
EL10 7	FUEL TEMPERATURE SENSOR	TEXAS INSTRUMENTS# ZCP51-2
EL11 7	FUEL DIAGNOSTIC RECEPTACLE	DEUTSCH# DT-6P
EX1 5	EXHAUST - OUTLET	Ø 87.4
FL1 3	FUEL - INLET	11/16-16 UN-2A-6 MALE ORFS
FL2 3	FUEL - LEAKOFF RETURN	M14 X 1.5 11°
FL3 3	FUEL - PUMP RETURN	11/16-16-2A FITTING END PER SAE J1453-6
FL4 3	FUEL - WATER IN FUEL SENSOR	PEDE# 12052641
MO1 3	MOUNTING HOLES - BLOCK	4 X M16 X 2-6H ▽ 54.8 MIN
MO2 6	MOUNTING HOLES - DOWEL PINS	2 X Ø 9.474 ▽ 12.7
MO3 6	MOUNTING HOLES - ACCESSORY	4 X M12 X 1.75-6H ▽ 23 MIN
MO4 5	MOUNTING HOLES - FLYWHEEL HOUSING	8 X M16 X 2-6H ▽ 24 MIN
MO5 4	MOUNTING HOLES - FLYWHEEL HOUSING	2 4X M10 X 1.5-6H ▽ 17.5 MIN
MO6 4	MOUNTING HOLES - FLYWHEEL	8 X 3/8-16 UNC-2B ▽ 18.3 MIN
MO7 6	MOUNTING HOLES - FAN SPACER	SEE OPTION DRAWING
MO8 3	MOUNTING HOLES - ACCESSORY	2 X M14 X 2-6H ▽ 20 MIN
MO9 5	MOUNTING HOLES - ACCESSORY	M10 X 1.5-6H ▽ 17.5
MO10 5	MOUNTING HOLES - ACCESSORY	2 X M10 X 1.5-6H ▽ 17.5 MIN
MO11 7	MOUNTING HOLES - ACCESSORY	8 X M8 X 1.25-6H ▽ 12 MIN

CUSTOMER INSTALLATION POINTS

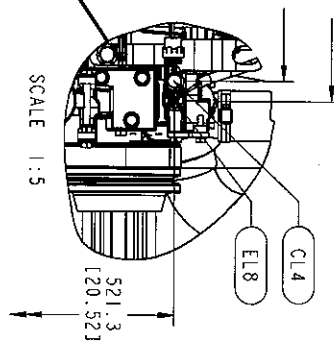
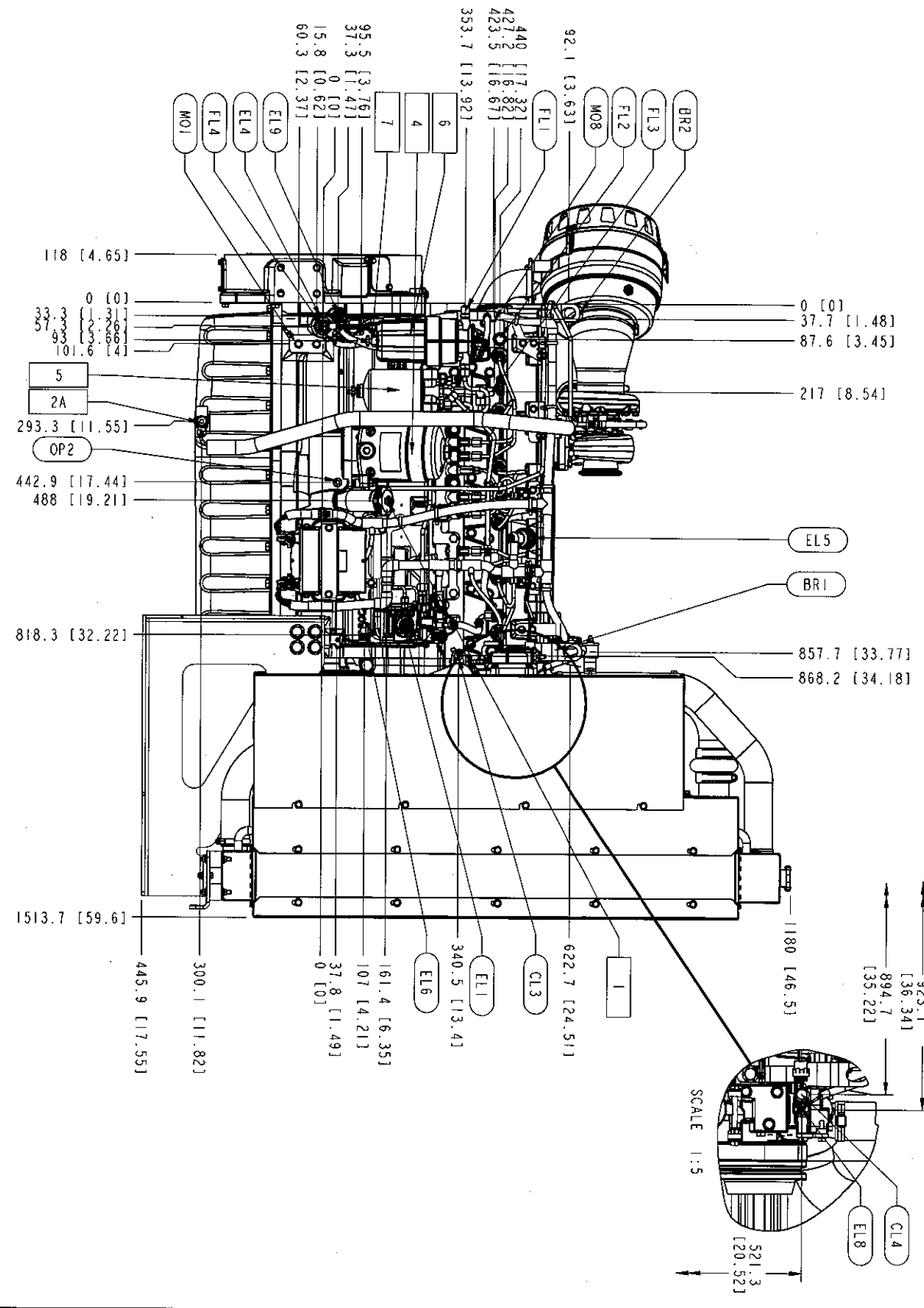
ITEM SHEET	NAME	REMARKS
MO12 4	MOUNTING HOLES - ACCESSORY	2 X M20 X 2.5 MIN 34 ▽
MO13 7	MOUNTING HOLES - ACCESSORY	6 X M8 X 1.25-6H ▽ 15 MIN
MO25 7	MOUNTING HOLES - ACCESSORY	SEE OPTION DRAWING
MO26 7	MOUNTING HOLES - ACCESSORY	4 X M10 X 1.5-6H
OP2 3	OIL - PRESSURE PORT	3 X M10 X 1.5-6H ▽ 17.5 MIN
OP3 5	OIL - AUXILIARY DRIVE PORT	3 X M10 X 1.5-6H ▽ 17.5 MIN
OP4 5	OIL - RETURN PORT	2 X 3/4-14 NPSF
VE1 7	VENT - TUBE	Ø 19.05 ID X 3.05 WALL TUBE

CUSTOMER SERVICE POINTS

ITEM SHEET	NAME	REMARKS
1 3	DIPSTICK	388mm REMOVAL CLEARANCE
2A 3	OIL DRAIN - PAN	
2B 5	OIL DRAIN	1/16-12 UN-2B ▽ 19 MIN
2C 5	OIL DRAIN	7/8-14 UNF-2B ▽ 19 MIN
4 3	OIL FILTER	115mm REMOVAL CLEARANCE
5 3	FUEL - SECONDARY FILTER	125mm REMOVAL CLEARANCE
6 3	FUEL - PRIMARY FILTER	132mm REMOVAL CLEARANCE
7 3	FUEL - WATER IN FUEL DRAIN	
8 5	COOLANT - DRAIN	1/4-18 NPSF
9A 6	COOLANT - DRAIN	1/4-18 NPSF
9B 4	COOLANT - DRAIN (RADIATOR)	
10 4	SIGHT GLASS FOR WATER LEVEL	

Part Number: RE547301
 Version: J090
 Sheet: 279 of A
 Metric
 Date: 11/11/11
 Approved: N. POMMIER

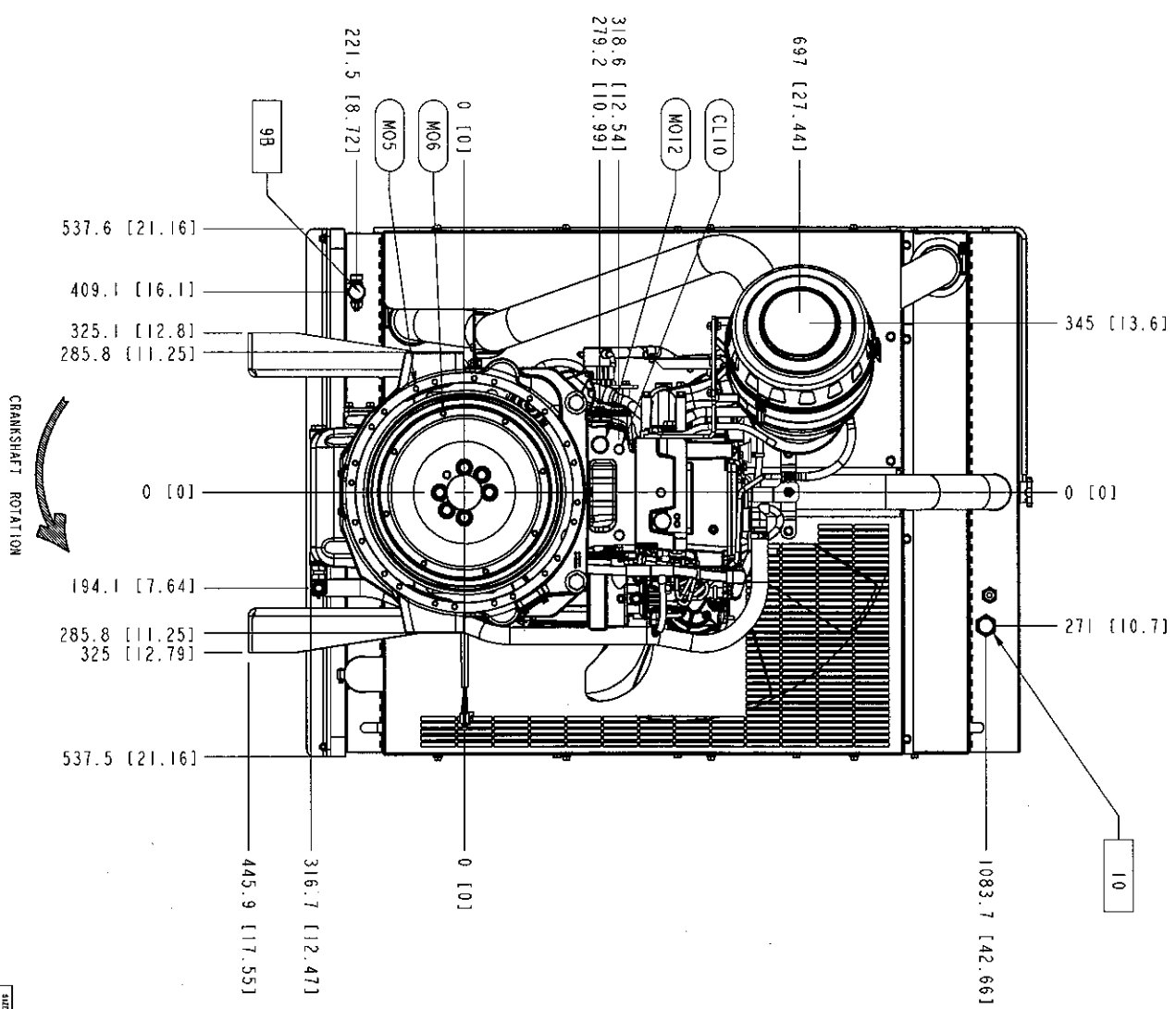
ZONE	STW	VERSION	SHEET	NO
		RES47301	J090	3/9
DESCRIPTION				
CHANGE NO	DATE	BY	APPROVED	
XXX	YYYY-MM-DD	N. POWANER		



SHEET	NO	VERSION
3/9	A	J090
DRAWING NO: RES47301		
SCALE: 1:1		
UNIT: METRIC		
DATE: CD		

PART NUMBER	VERSION	DATE	BY
RES47301	J090	3/9	A

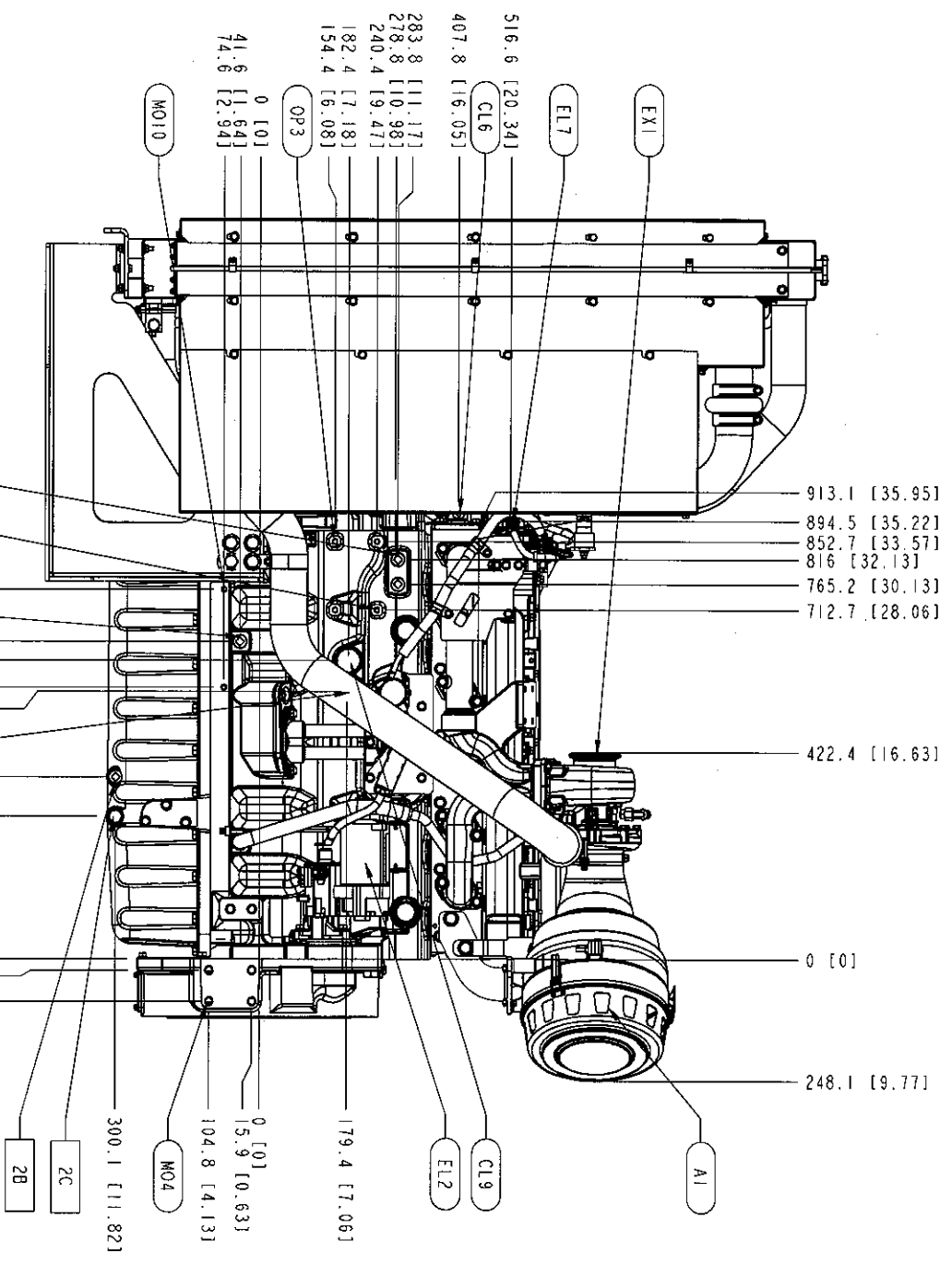
ZONE	SW	PART NUMBER	VERSION	SHEET	REV	CHANGE DESC	DATE	APPROVED
		RES47301	J090	4/9	A	INITIALS-MM-DD		N. POMMER
						XXX	YY-MM-DD	



SIZE	PART NUMBER	VERSION	SHEET	REV
C	RES47301	J090	4/9	A
SCALE	UNIT	DATE		
1:1	METRIC	CD		

PART NUMBER	VERSION	SHEET	REV
RES47301	J090	4/9	A

PART NUMBER	REVISED	SHEET	OF	APPROVED
RE547301	J090	579	A	N. POWNER
ZONE	SYN	DESCRIPTION	CHANGE DOC	DATE
2			YYT-MM-DD	YYT-MM-DD

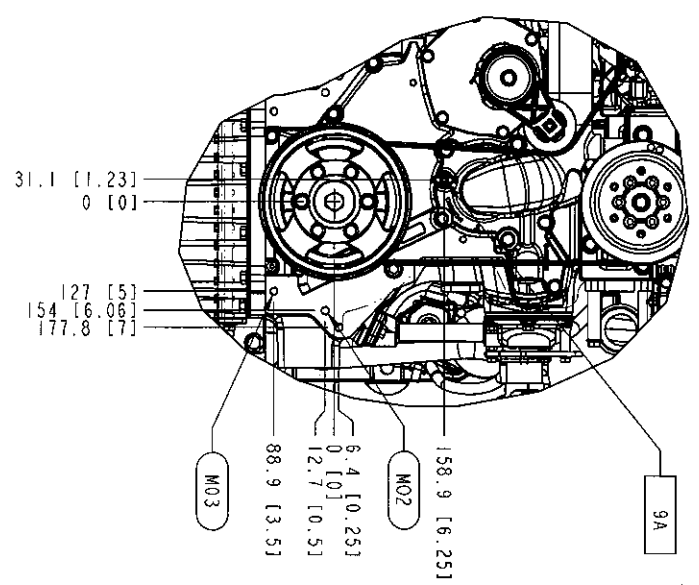
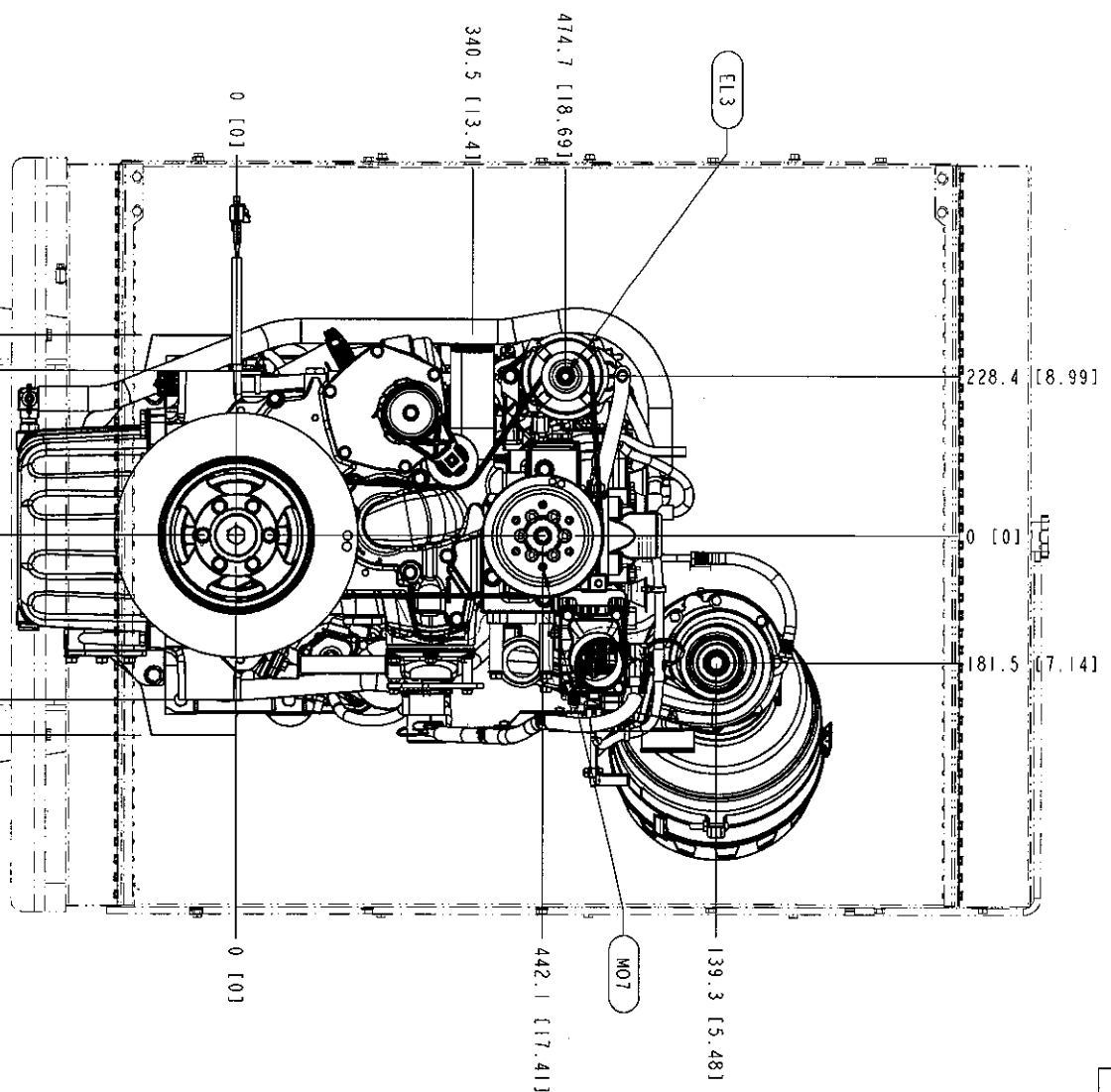


- 913.1 [35.95]
- 894.5 [35.22]
- 852.7 [33.57]
- 816 [32.13]
- 765.2 [30.13]
- 712.7 [28.06]
- 422.4 [16.63]
- 0 [0]
- 248.1 [9.77]
- 283.8 [11.17]
- 278.8 [10.98]
- 240.4 [9.47]
- 182.4 [7.18]
- 154.4 [6.08]
- 41.6 [1.64]
- 74.6 [2.94]
- 0 [0]
- 754.7 [29.71]
- 648 [25.51]
- 609.5 [24]
- 554.7 [21.84]
- 545.8 [21.49]
- 371.6 [14.63]
- 291.4 [11.47]
- 0 [0]
- 23 [0.91]
- 86.5 [3.41]
- 300.1 [11.82]
- 179.4 [7.06]
- 104.8 [4.13]
- 15.9 [0.63]
- 0 [0]

SHEET	REVISED	DATE	BY
579	RE547301	J090	A
SCALE	DESCRIPTION	APPROVED	
1:1			

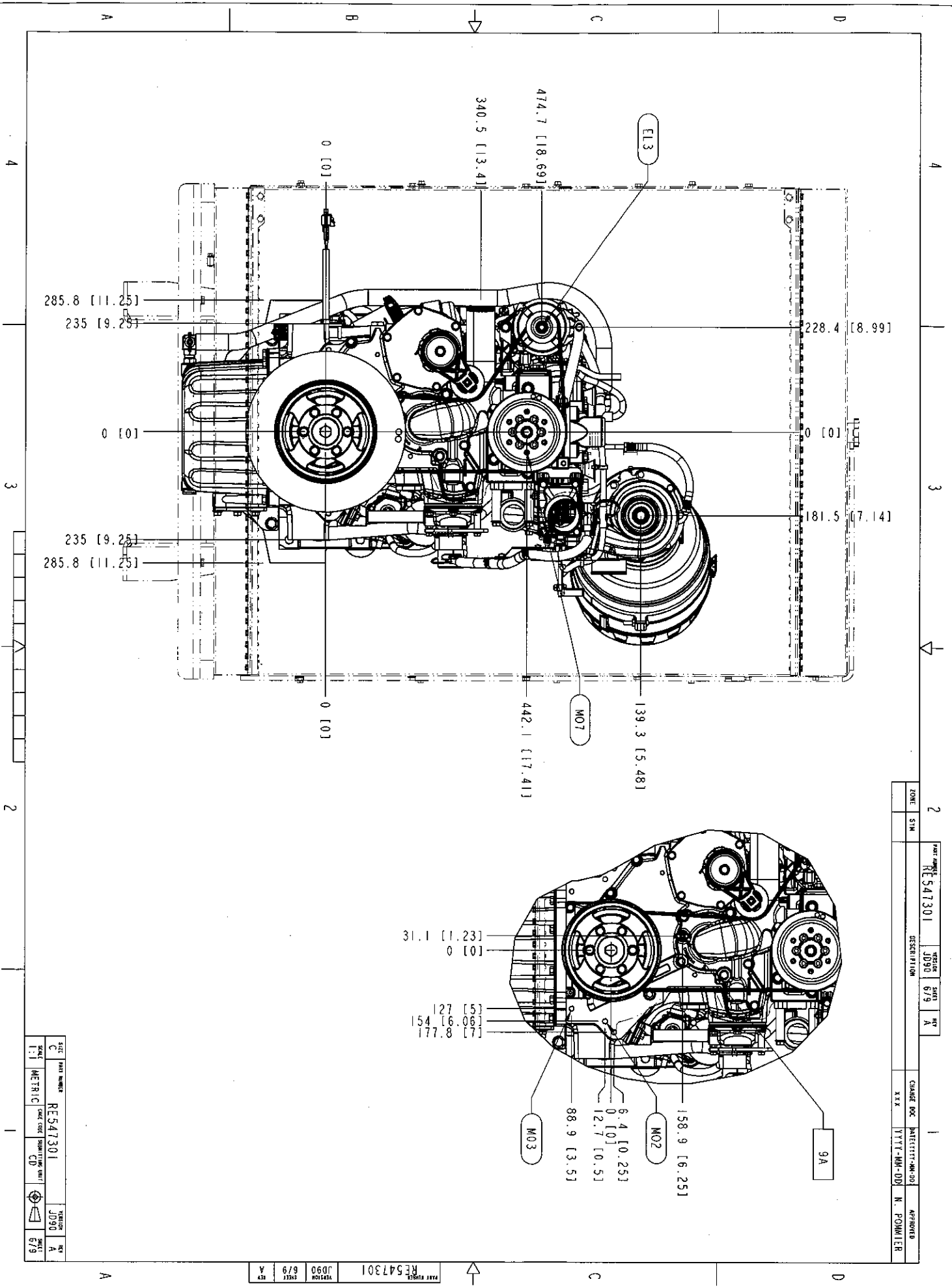
PART NUMBER	REVISED	SHEET	OF
RE547301	J090	579	A

2	3	4	1	APPROVED
ZONE	SYM	VERSION	SHEET	NO
		JD90	6/9	A
PART NUMBER		DESCRIPTION	CHANGE DOC	DATE
RES47301		XXXX	YYT-MM-DD	N. POMMER

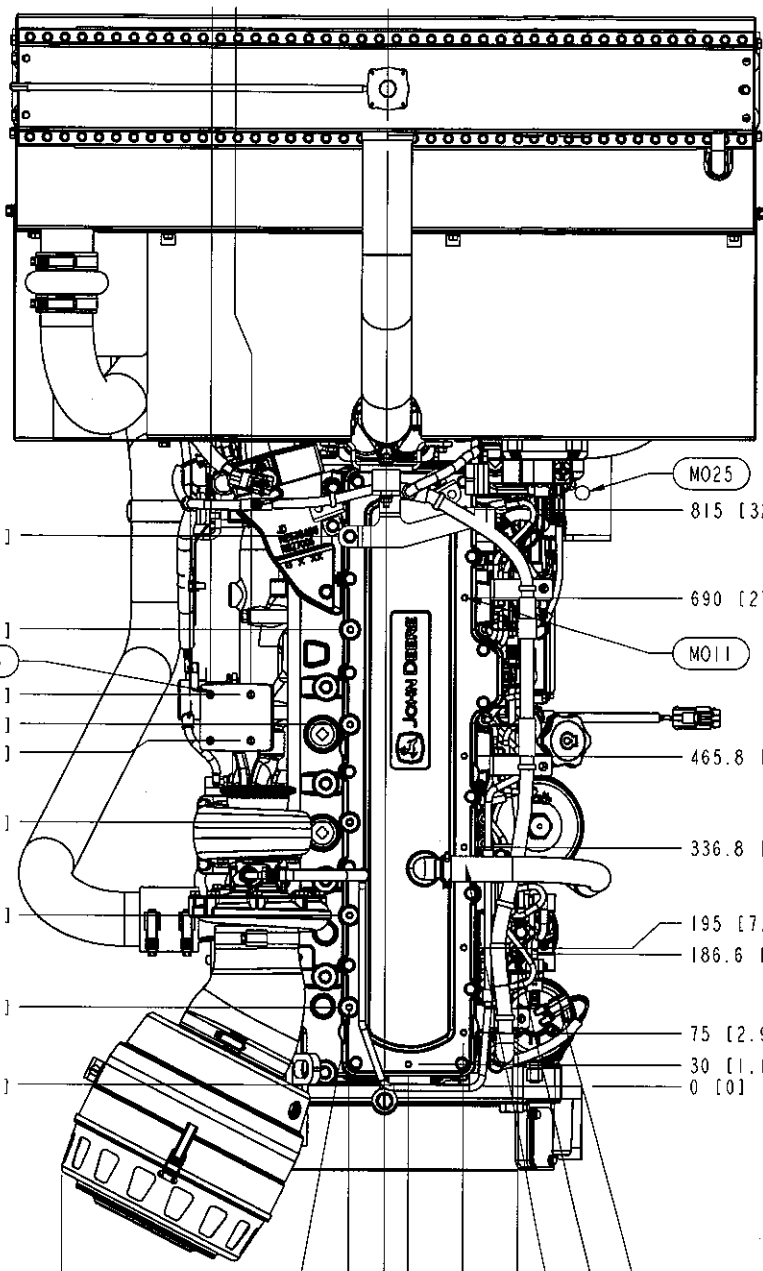


REV	DATE	BY	APP
0	JD90	A	
PART NUMBER			
RES47301			
UNIT			
METRIC			
CD			

REV	DATE	BY	APP
0	JD90	A	
PART NUMBER			
RES47301			



ZONE	SIM	PART NUMBER	ISSUE	SHEET	REV	CHANGE DOC	DATE/TIME/REV	APPROVED
		RES47301	JD90	7/9	A	XXX	1711-MM-00	N. POMMER



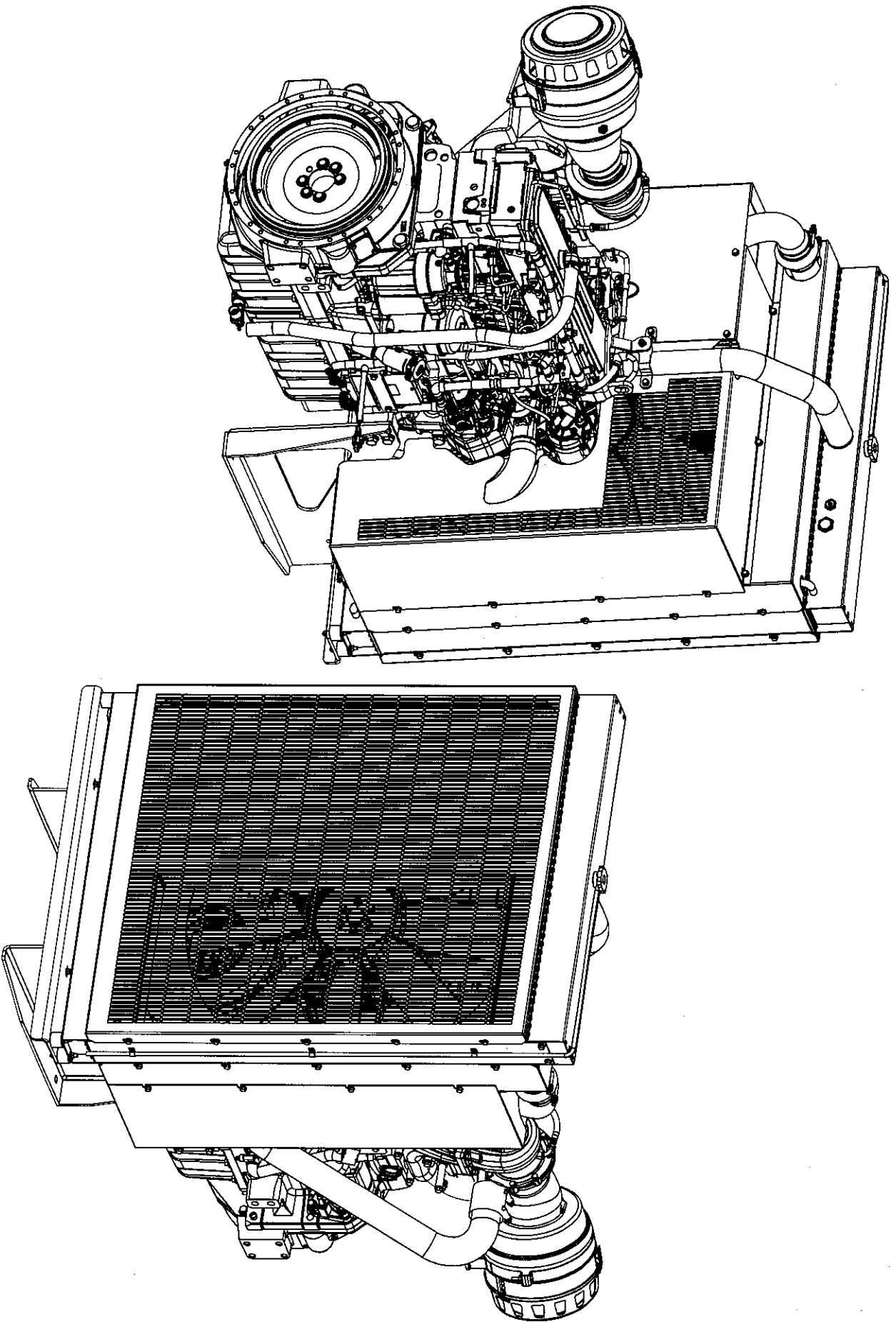
- 191.5 [7.541]
- 249.5 [9.821]
- 0 [0]
- 776.5 [30.57]
- 644.1 [25.36]
- MO26
- 551.6 [21.72]
- 509.9 [20.08]
- 486.6 [19.16]
- 371.5 [14.63]
- 239.9 [9.45]
- 110 [4.33]
- 0 [0]
- 462.4 [18.21]
- MO13
- 50.8 [2]
- 34.1 [1.34]
- 0 [0]
- 113 [4.45]
- 191.5 [7.541]
- VEL
- EL10
- EL11
- 195 [7.68]
- 186.6 [7.35]
- 75 [2.95]
- 30 [1.18]
- 0 [0]
- MO25
- 815 [32.09]
- 690 [27.17]
- MO11
- 465.8 [18.34]
- 336.8 [13.26]

4 3 2 1

SIZE	PART NUMBER	VISION	REV
C	RES47301	JD90	A
SCALE	DATE CODE	SUBMITTER UNIT	SHEET
1:1	CD		7/9
METRIC			

PART NUMBER	VISION	SHEET	REV
RES47301	JD90	7/9	A

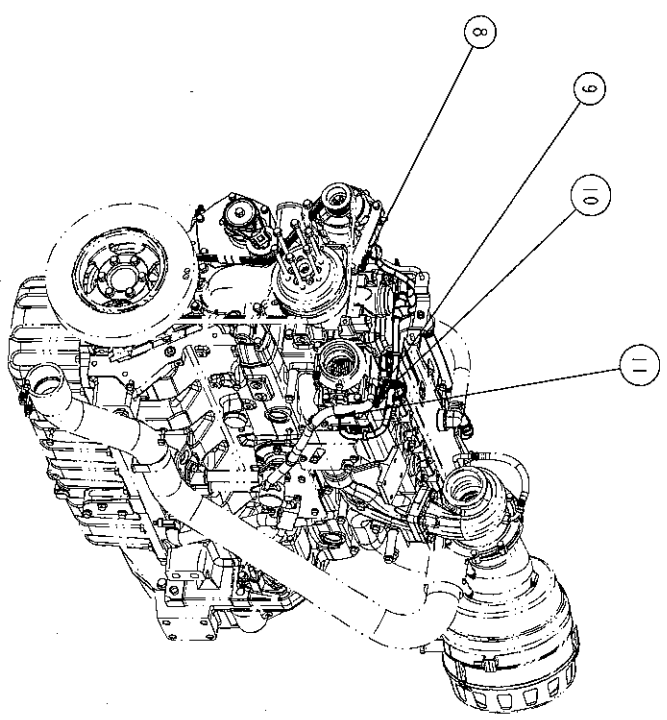
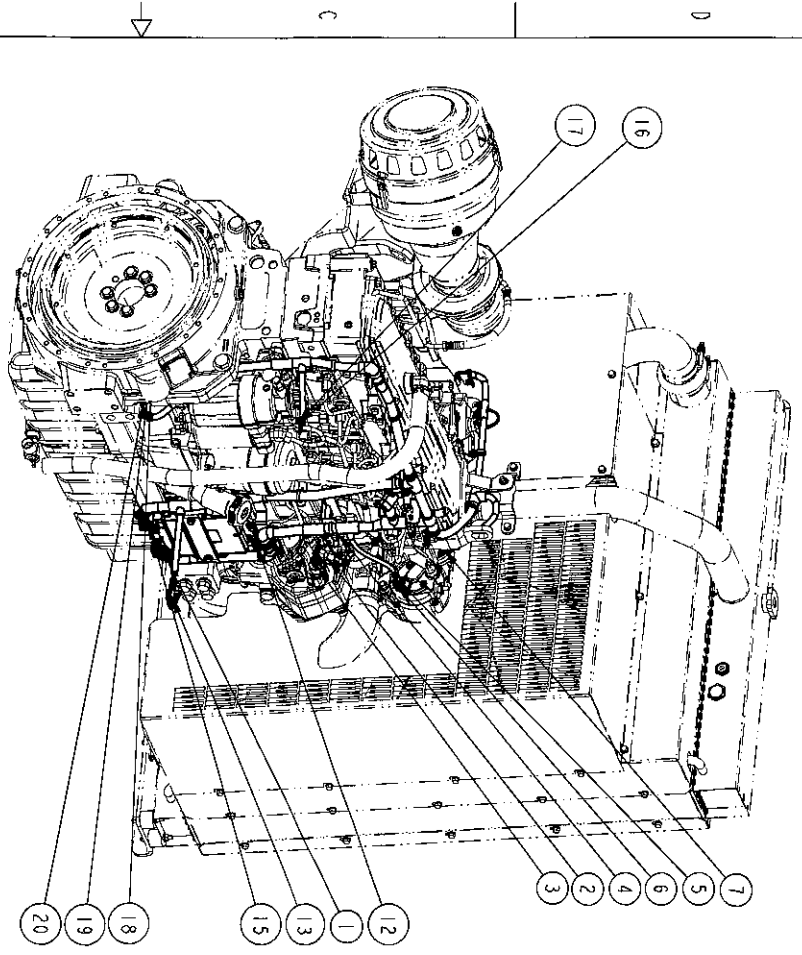
ZONE	STW	PART NUMBER	REVISION	SHEET	OF
		RE547301	JD90	879	A
		DESCRIPTION	CHANGE DOC	DATE/TIME	BY
			XXXX	YYYY-MM-DD	N. POMMIER
					APPROVED



SIZE	UNIT	REVISION	DATE
C	MM	RE547301	JD90
SCALE	METRIC	DATE	BY
1:1		CD	879

PART NUMBER	REVISION	SHEET	OF
RE547301	JD90	879	A

2	3	4	5	6	7	8	9	10	11
ZONE	SYM	PART NO	REV	ISSUE	DATE	BY	CHKD	DATE	BY
		RE547301	1090	1090	979	A			
DESCRIPTION		CHANGER DOC		DATE		BY		APPROVED	
		XXXX		YYYY-MM-DD		N. POMMER			



WIRING HARNESS DETAIL
VIEWS

ENGINE HARNESS CONNECTION POINTS

ITEM	LOCATION	NAME	ITEM	LOCATION	NAME
1	J01	ECU CONNECTOR	15	J03	ECU CONNECTOR
2	T05	FUEL TEMP	16	C19	FUEL TRANSFER PUMP
3	Y01	PUMP CONTROL VALVE	17	P03	FUEL PRESSURE SENSOR
4	P05	RAIL PRESSURE	18	P04	OIL PRESSURE SENSOR
5	C06	ALTERNATOR EXCITATION	19	X01	ENG CRANK SENSOR
6	C06A	ALTERNATOR EXCITATION DUST CAP	20	D01	WATER-IN-FUEL
7	C01	FUEL INJECTION CONNECTOR			
8	T04	COOLANT TEMP			
9	C20	AIR HEATER JUMPER CONNECTION			
10	C20A	AIR HEATER JUMPER CONNECTION DUST CAP			
11	T02	MANIFOLD AIR TEMP			
12	X02	ENG CAM SENSOR			
13	C02	AUXILIARY POWER CONNECTION			

HARNESS CONNECTION POINT TABLE
TO BE USED IN CONJUNCTION WITH
WIRING HARNESS DRAWING

SIZE	UNIT	SCALE	DATE	BY
C	MM	1:1	RE547301	J090
			CD	979

PART NO	REV	ISSUE	DATE	BY
RE547301	1090	1090	979	A