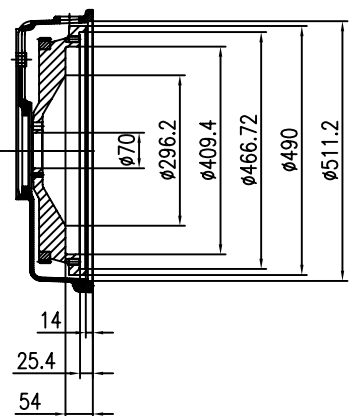
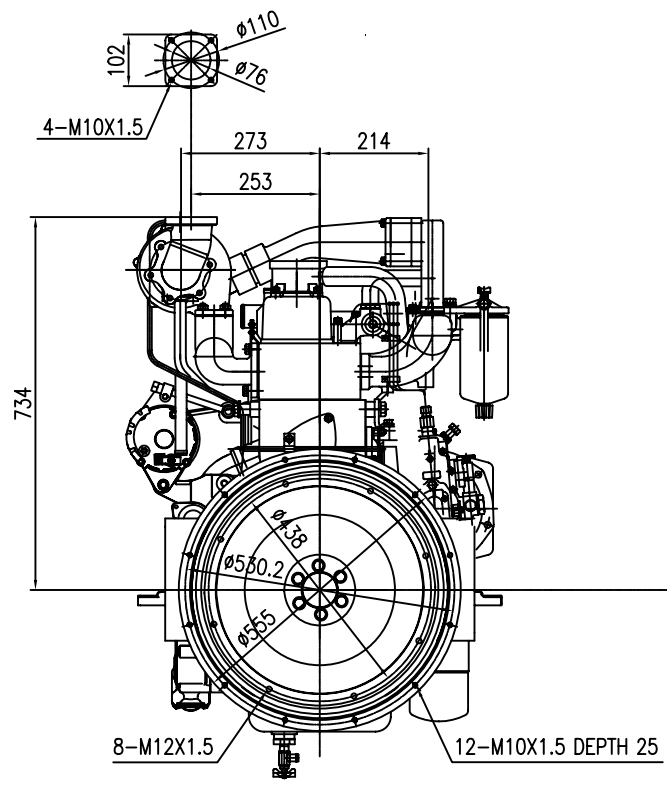
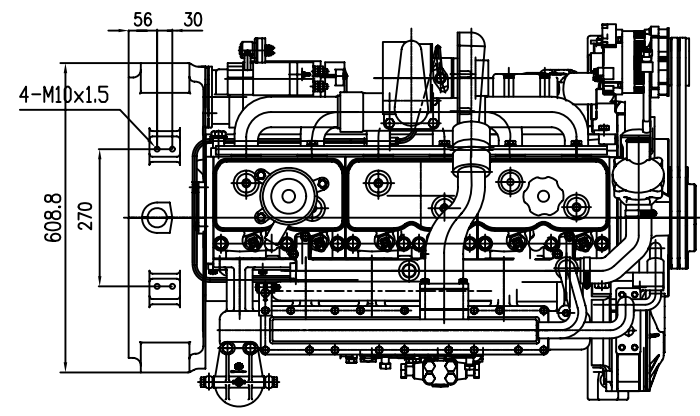
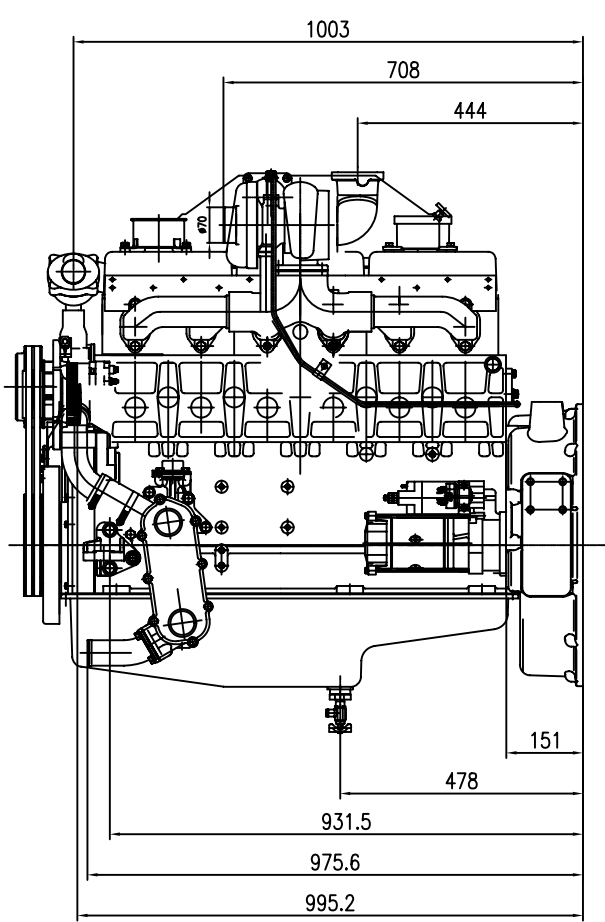
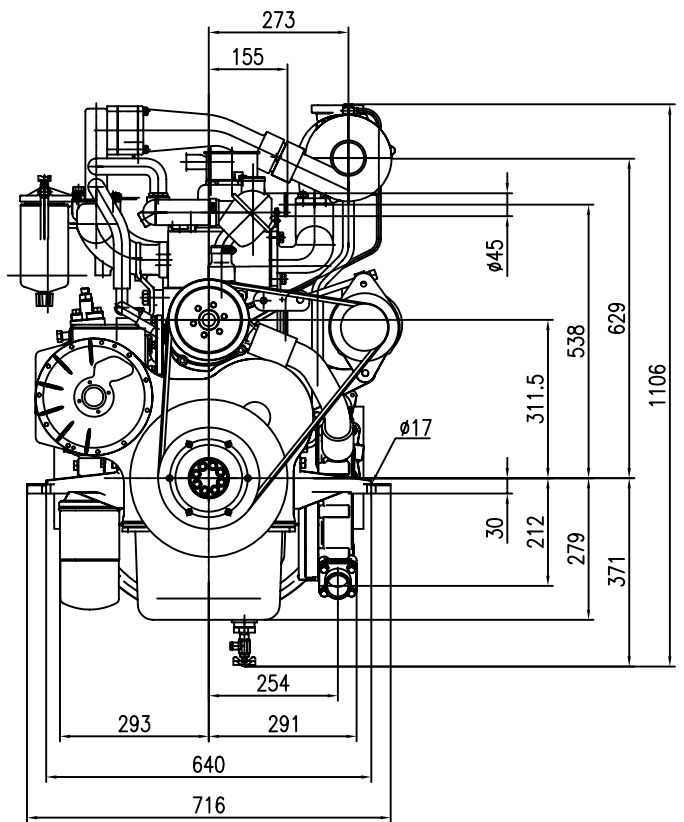


GRADE



SCALE

PART NO.	NAME	REV.	DATE	REMARKS
PU086T1 (EBPPB)	ENGINE ASS'Y FOR POWER UNIT			REV. SCALE 1/1
DESIGNER	DESIGN NO.	REV.		
CHECKER	CHECK NO.	REV.		
DATE	Y.S.KIM	DATE	NO.	65.00506-7672
Y.S.KIM	Doosan Infracore Co., Ltd.			INCHON KOREA